

Tropical Ad Light (AD)

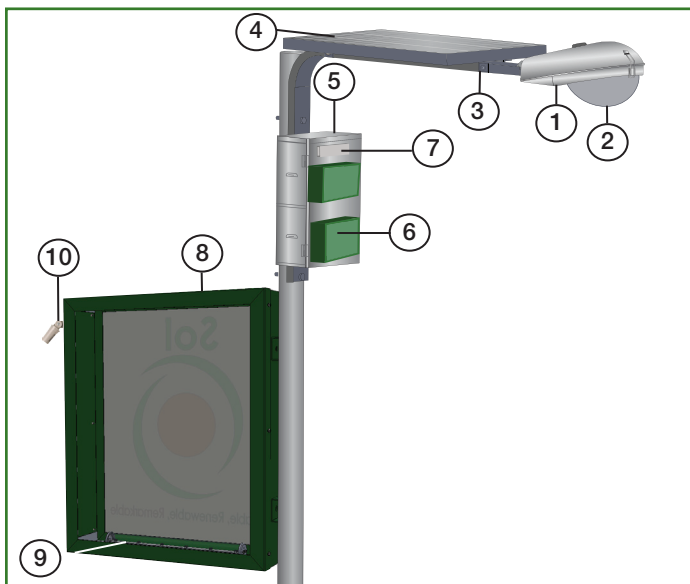
Tropical Ad Light

Solar street and advertising light designed for tropical regions of the world.



System Details

- Highly reliable 1219 mm x 1219 mm (48" x 48") solar powered ad box designed for use with Sol's Tropical Street Lighting System (25 to 30 M spacing).
- Powered by solar array from Tropical Street Lighting System for simplified installation.
- Easy to startup - factory programmed eliminates any field configuration; plug and play connectors for quick assembly.
- Robust design - sturdy corrosive resistant aluminum hardware.



- 1. Luminaire** - Die cast Cobrahead with polycarbonate dome lens. Sealed for corrosion resistance and condensation prevention. IP 63 rating and CE certified.
- 2. Optics** - High lumen LEDs rated at 65,000 hours last for at least 15 years of lighting. An efficient, bright, white light source provides uniform light distribution.
- 3. Panel Mount** - Grade "A" corrosion resistant aluminum frame supports solar panel and battery enclosure. Allows for proper orientation of solar array.
- 4. Solar Panel** - Poly-crystalline single or dual photovoltaic panel configuration.
- 5. Battery Enclosure** - Vented Grade "A" corrosion resistant aluminum unit holds battery and smart controller.
- 6. NRGLife™ Battery** - Maintenance-free 100Ah 12V sealed no maintenance valve regulated lead acid gel cell battery provides multiple nights of battery back-up.
- 7. Smart Controller** - An LED driver with an integrated solar charge controller that monitors and regulates charging and discharging of batteries as well as controlling and dimming of LED luminaire. Accessible through battery enclosure cover.
- 8. Ad Light Box** - All aluminum construction with lexan polycarbonate insert for ad printing. Additional details on back.
- 9. LED Lightbar** - LED light bar features 8 discrete LEDs for an efficient, bright, cool-white light source that provides uniform light distribution.
- 10. Photocell** - Light control that turns ad box light on at dusk and off at dawn.
- 11. Warranty** - 10 year system warranty that includes five year limited warranty on batteries, 10 years on electronics, wiring, fixtures and 20 years on mounting hardware and solar panels.

Tropical Ad Light

Ad Box Specifications

Item	Description
Outside Box Dimensions (L x W X D)	1219.19 mm x 1219.9 mm x 218.95 mm (48" x 48" x 8.62")
Viewable Area Dimensions	1117.6 mm x 1117.6 mm (44" x 44")
Luminaire	Sol [®] Ad Light LED Lightbar
LED Type	8 High Flux discrete LEDs rated at 135 lumens/watt and include an internal reflector
Ad Box Advertising Insert	White Lexan polycarbonate 6 mil or 3/16" thickness
Controls	Runs 6 hours per night triggered by photo sensor Powered by Tropical Lighting System* (AL Series) <i>*See separate data sheet on Tropical Lighting System (AL) for system details.</i>

