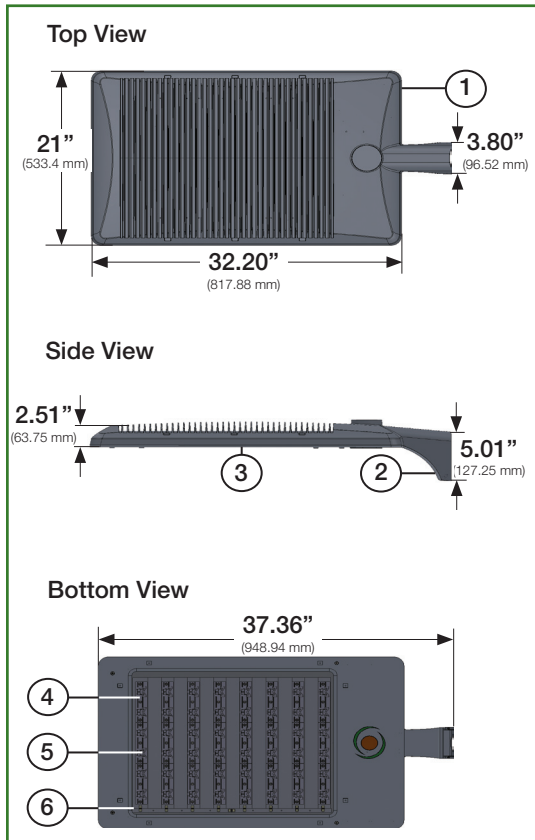


20/20™ LED Luminaire

Applications

Ideal for any outdoor application where tight light control is needed to prevent glare and light trespass. Perfect for parking lots, perimeter security, roadways, general area lighting, including paths and walkways. Features a low profile luminaire with an advanced thermal management and sophisticated LED optics.



- Housing** - Precision die-cast aluminum housing, with an integral aluminum heat sink. Hinged cover allows access to wiring and hidden fasteners. LED cavity is sealed to IP 65. Housing is powder coated for condensation resistance. Available in standard grey, white, bronze or black.
- Mounting** - Two hidden fasteners secure luminaire directly to pole with no unsightly connections. Luminaire hardware supplied when ordered with Sol pole.
- Lens** - Heat and shock resistant, tempered cutoff glass lens. Lens assembly is fully gasketed with silicone to prevent dust and bug entry. Optional glare shield and house side shield available - 1.5 mm powdercoated aluminum finish.
- Light Engine** - Configured for various lumen packages using high flux discrete LEDs mounted to PC boards and attached to aluminum heat sink for maximum LED performance and life. LEDs are driven by Sol's intelligent controller located in battery enclosure.
- Optics** - 24 High lumen LEDs rated at minimum of 50,000 hours (L70). IES Type 2, Type 3 or Type 5 optics. Efficient, bright, white light source of provides uniform light distribution.
- Thermal Management** - Thermal conduction compound with multi-point connection to fixture house. LEDs are placed on a metal-core PCB for optimal heat transfer and minimized thermal impedance.
- 10 Year Limited LED Luminaire Warranty** - Sol warrants owner of new luminaires be free from defects in materials and workmanship and to perform under normal use and service. Sol will, at its option, repair or replace any system component that is defective in materials or manufacture within a minimum of ten (10) years after purchase. This limited warranty covers the fixture, LED driver and LEDs when installed and operated according to Sol instructions. For details and exclusions, see Sol Terms and Condition of Sale.

Listings and Ratings: NRTL Listed IP65 and TÜV listed to UL 1598:09,2008 and CSA C22.2 No. 250.0-08. Tested to IESNA LM-79-08 test standards at 25° C ambient*.

FEATURE	VALUE
LED Type	Discrete High Flux LED (up to 48 per fixture)
LED Total Power	40 to 100W (configured per project)
LED lumens per LED watt	See individual ies file
Luminous Efficacy	See individual ies file
LED Enclosure	IP65
Color Temperature (CCT)	5000K - 5500K
Effective Projected Area (EPA)	0.05574 m ² (.6 sq. ft.)
Weight	19.50 kg (43 lbs.)
Operating Temperature (Amb.)	-40° C to 45° C (-40° F to 113° F)
Suggested Mounting Height	3.65 m to 9.1 m (12 to 30 feet)

